

with Chamfer

AC

TiAlCN coated
Micrograin Carbide

Tolerance

The theoretical external diameter of the cutter is lasermarked on the tool.

Shank

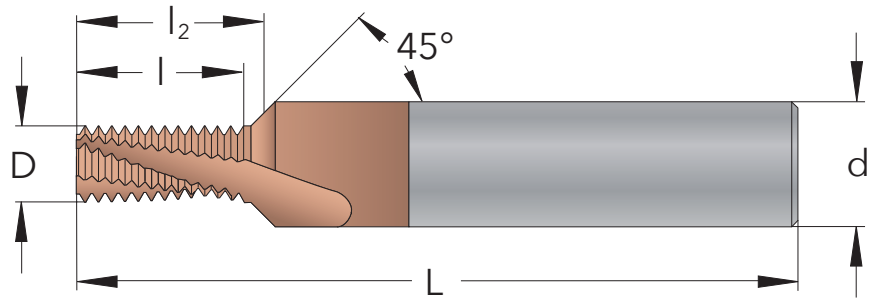
Cylindrical h6, DIN6535 HA

Flute

15° right hand spiral

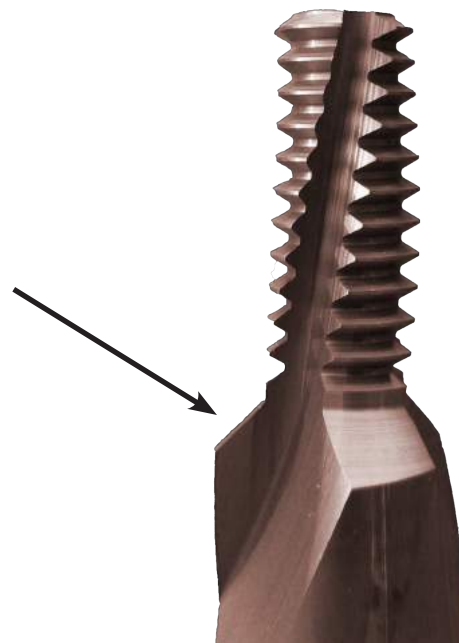
Field of application

Thread Milling of all types of steel

**M****METRIC**

Pitch mm	M coarse	INTERNAL Part Number	d mm	D mm	Cutting edges	l mm	l ₂ mm	L mm
0,5	M3 (1,5xD)	NF06023C5_0.5ISO_AC	6	2,3	3	5,25	5,85	63
0,5	M3 (2xD)	NF06023C6_0.5ISO_AC	6	2,3	3	6,75	7,35	63
0,5	M3 (2,5xD)	NF06023C8_0.5ISO_AC	6	2,3	3	8,25	8,85	63
0,5	M3 (3xD)	NF06023C9_0.5ISO_AC	6	2,3	3	9,75	10,35	63
0,7	M4 (1,5xD)	NF0603C7_0.7ISO_AC	6	3	3	7,35	8,2	63
0,7	M4 (2xD)	NF0603C8_0.7ISO_AC	6	3	3	8,75	9,6	63
0,7	M4 (2,5xD)	NF0603C10_0.7ISO_AC	6	3	3	10,85	11,7	63
0,7	M4 (3xD)	NF0603C12_0.7ISO_AC	6	3	3	12,95	13,8	63
0,8	M5 (1,5xD)	NF06038C8_0.8ISO_AC	6	3,8	3	8,4	9,4	63
0,8	M5 (2xD)	NF06038C10_0.8ISO_AC	6	3,8	3	10,8	11,8	63
0,8	M5 (2,5xD)	NF06038C13_0.8ISO_AC	6	3,8	3	13,2	14,2	63
0,8	M5 (3xD)	NF06038C16_0.8ISO_AC	6	3,8	3	16,4	17,4	63
1,0	M6 (1,5xD)	NF08045C10_1.0ISO_AC	8	4,5	3	10,5	11,75	63
1,0	M6 (2xD)	NF08045C13_1.0ISO_AC	8	4,5	3	13,5	14,75	63
1,0	M6 (2,5xD)	NF08045C16_1.0ISO_AC	8	4,5	3	16,5	17,75	63
1,25	M8 (1,5xD)	NF1006C14_1.25ISO_AC	10	6	3	14,37	16	76
1,25	M8 (2xD)	NF1006C18_1.25ISO_AC	10	6	3	18,12	19,75	76
1,25	M8 (2,5xD)	NF1006C21_1.25ISO_AC	10	6	3	21,87	23,5	76
1,5	M10 (1,5xD)	NF12075C17_1.5ISO_AC	12	7,5	3	17,25	19,25	83
1,5	M10 (2xD)	NF12075C21_1.5ISO_AC	12	7,5	3	21,75	23,75	83
1,5	M10 (2,5xD)	NF12075C27_1.5ISO_AC	12	7,5	3	27,75	29,75	83
1,75	M12 (1,5xD)	NF1409C20_1.75ISO_AC	14	9	3	20,12	22,5	89
1,75	M12 (2xD)	NF1409C27_1.75ISO_AC	14	9	3	27,12	29,5	89
1,75	M12 (2,5xD)	NF1409C32_1.75ISO_AC	14	9	3	32,37	34,75	89

Chamfering of the thread

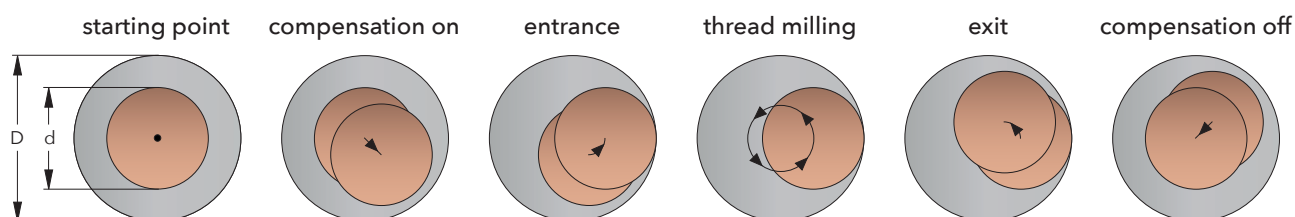


Cutting Speed (V_c) and Material Factor (F_m)

MATERIAL		Hardness HB	Tensile Strength N/mm ²	Cutting Speed (V_c) m/min	Material Factor (F_m)
Steel	Low carbon, C < 0,25%	< 120	< 400	150 - 200	1,2
	Medium carbon, C < 0,55%	< 200	< 700	120 - 170	1,1
	High carbon, C < 0,85%	< 250	< 850	110 - 150	1,0
	Low alloy	< 250	< 850	100 - 140	1,0
	High alloy	< 350	< 1200	70 - 110	0,9
	Hardened, HRC < 45			60 - 100	0,8
	Hardened, HRC < 55			30 - 60	0,7
	Hardened, HRC < 65			20 - 40	0,6
Cast iron	Lamellar graphite	< 150	< 500	130 - 180	1,2
	Lamellar graphite	< 300	< 1000	100 - 150	1,1
	Nodular graphite, malleable	< 200	< 700	100 - 150	1,0
	Nodular graphite, malleable	< 300	< 1000	80 - 120	0,9
Stainless steel	Free machining	< 250	< 850	130 - 180	1,0
	Austenitic	< 250	< 850	90 - 140	0,9
	Ferritic and austenitic	< 300	< 1000	80 - 120	0,8
Titanium	Unalloyed	< 200	< 700	60 - 80	0,8
	Alloyed	< 270	< 900	50 - 70	0,7
	Alloyed	< 350	< 1250	30 - 50	0,6
Nickel	Unalloyed	< 150	< 500	80 - 120	0,8
	Alloyed	< 270	< 900	60 - 80	0,7
	Alloyed	< 350	< 1250	50 - 70	0,6
Copper	Unalloyed	< 100	< 350	150 - 250	1,0
	Brass, bronze	< 200	< 700	130 - 180	1,0
	High strength bronze	< 470	< 1500	60 - 80	0,8
Aluminium	Unalloyed	< 100	< 350	500 - 900	1,4
	Alloyed, Si < 0.5%	< 150	< 500	400 - 800	1,3
	Alloyed, Si < 10%	< 120	< 400	300 - 500	1,2
	Alloyed, Si > 10%	< 120	< 400	200 - 400	1,1
Inconel	718	< 370		50 - 70	0,6
Graphite				300 - 500	1,0

Engagement Factor (F_e)

	B/d = 0,05	B/d = 0,06	B/d = 0,07	B/d = 0,08	B/d = 0,09	B/d = 0,10	B/d = 0,12	B/d = 0,14	B/d = 0,16
L/d = 1,0	1,75	1,59	1,45	1,31	1,20	1,09	0,99	0,90	0,82
L/d = 1,25	1,52	1,38	1,25	1,14	1,04	0,94	0,86	0,78	0,70
L/d = 1,5	1,31	1,20	1,09	0,99	0,90	0,82	0,74	0,67	0,61
L/d = 1,75	1,20	1,09	0,99	0,90	0,82	0,74	0,67	0,61	0,56
L/d = 2,0	1,09	0,99	0,90	0,82	0,74	0,67	0,61	0,56	0,51
L/d = 2,25	0,99	0,90	0,82	0,74	0,67	0,61	0,56	0,51	0,46
L/d = 2,5	0,90	0,82	0,74	0,67	0,61	0,56	0,51	0,46	0,42
L/d = 3,0	0,78	0,70	0,64	0,58	0,53	0,48	0,44	0,40	0,36
L/d = 3,5	0,67	0,61	0,56	0,51	0,46	0,42	0,38	0,35	0,31
L/d = 4,0	0,61	0,56	0,51	0,46	0,42	0,38	0,35	0,31	0,29



Diameter Factor (F_d)

d	Diameter Factor (F_d)
1,5	0,010
2,0	0,011
3,0	0,015
4,0	0,019
5,0	0,024
6,0	0,028
8,0	0,036
10,0	0,044
12,0	0,052
14,0	0,060
16,0	0,067
18,0	0,075
20,0	0,082
25,0	0,101
32,0	0,126
40,0	0,156

Example

M24x3,0 thread length 36 mm
 Carbon Steel, up to 400 N/mm²
 Thread Milling with NB1616C40_3.0ISO_AC
 $B = 0,54 \times 3 = 1,62 \text{ mm}$
 $B/d = 1,62/16 = 0,10$
 $L/d = 36/16 = 2,25$
 $F_z = 1,2 \times 0,61 \times 0,067 = 0,049$
 $n = (160 \times 1000) / (\pi \times 16) = 3183 \text{ rpm}$
 $V_{fD} = 0,049 \times 3 \times 3183 = 468 \text{ mm/min}$
 $V_{fd} = 468 \times (24-16) / 24 = 156 \text{ mm/min}$
 $T = (278 \times 24) / 468 = 14 \text{ seconds}$

$$B = 0,54 \times P$$

$$F_z = F_m \times F_e \times F_d$$

$$n = \frac{V_c \times 1000}{\pi \times d}$$

$$V_{fD} = F_z \times z \times n$$

$$V_{fd} = V_{fD} \times \frac{(D - d)}{D}$$

$$T = 278 \times \frac{D}{V_{fd}}$$

D = thread diameter (mm)

L = thread length (mm)

d = cutter diameter (mm)

B = depth of profile (mm)

P = pitch (mm)

z = cutting edges

F_z = feed / flute (mm/flute)

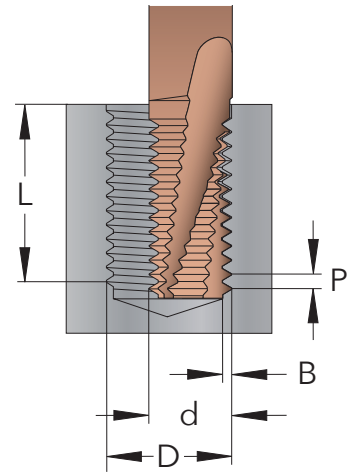
n = spindle speed (rpm)

V_c = cutting speed (m/min)

V_{fD} = feed at thread diameter \varnothing (mm/min)

V_{fd} = feed at center of mill (mm/min)

T = time to mill the thread (seconds)



Carbide Grades

AC

Micrograin Carbide with TiAlCN coating. Allround Grade with low friction. Use cutting data according to the tables.

FC

Micrograin Carbide with TiAlN coating. Allround Grade with high heat resistance. Use cutting data according to the tables.