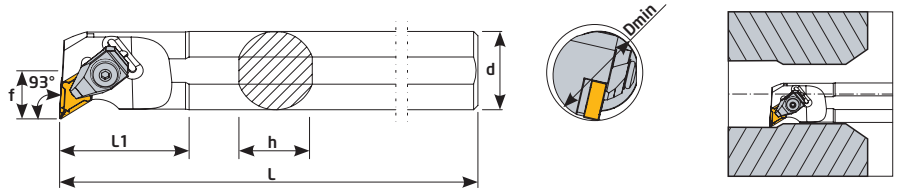
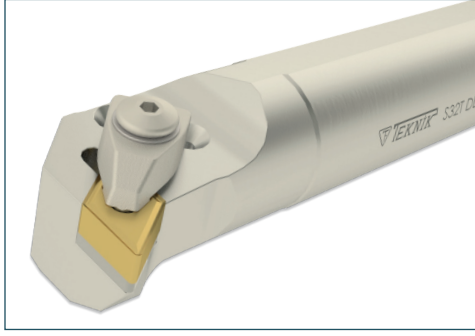
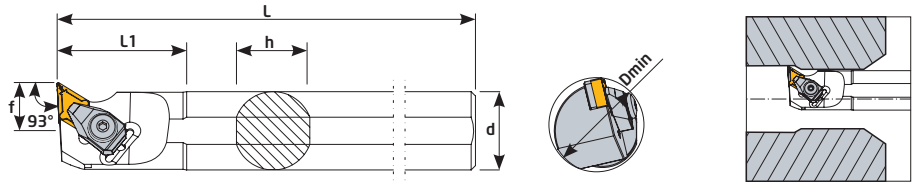
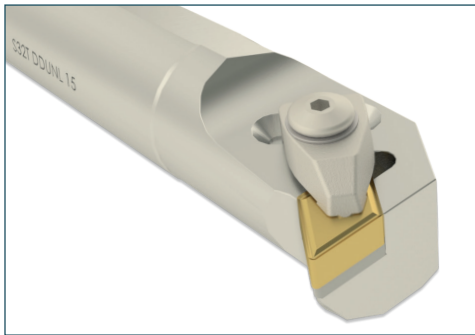


93° DDUNR



Sipariş Kodu Order Code Best.-Nr.	Stok/Stock/Lager	Ürün Kodu Product Code Produkt-Code	Ölçüler (mm) Dimensions(mm) Abmessungen (mm)							Kullanılan Uç Insert WSP	Baskı Cıvatası Locking Screw Verriegelungs Schraube	Altlık Shim U-Platte	Altlık Cıvatası Shim Screw U-Platte Schraube	Baskı Kepi Clamp Spannpratze	Yay Spring Feder	Pul Washer U-Scheibe	Anahtar Allen Key Inbuss-Schlüssel
			Dmin	d	L	L1	f	h	ISO								
K408	●	S20R DDUNR 11	30	20	200	50	13	18	0,508	DN-- 1104	TC046 M5	TA030	TC074 M4x10	BK024	BY041	BSP031	3 Allen
K409	●	S25S DDUNR 11	32	25	250	50	17	23	0,956								
K410	●	S25S DDUNR 15	32	25	250	50	17	23	0,950								
K412	●	S32T DDUNR 15	40	32	300	55	22	30	1,835	DN-- 1506	TC044 M6	TA014-1	TC038 M4x10	BK020	BY040	BSP030	4 Allen
K414	●	S40T DDUNR 15	50	40	300	60	27	38	2,848								
K415	●	S40U DDUNR 15	50	40	350	60	27	38	3,336								
K416	●	S50U DDUNR 15	63	50	350	65	35	47	5,153								
K417	●	S50X DDUNR 15	63	50	550	65	35	47	8,716								
K417-1	●	S60X DDUNR 15	73	60	600	65	37,5	57	13,66	DN-- 1504	TC044 M6	TA014-1	TC038 M4x10	BK020	BY040	BSP030	4 Allen
K411	●	S25S DDUNR 15	32	25	250	50	17	23	0,958								
K413	●	S32T DDUNR 15	40	32	300	55	22	30	1,830								

93° DDUNL



Sipariş Kodu Order Code Best.-Nr.	Stok/Stock/Lager	Ürün Kodu Product Code Produkt-Code	Ölçüler (mm) Dimensions(mm) Abmessungen (mm)							Kullanılan Uç Insert WSP	Baskı Cıvatası Locking Screw Verriegelungs Schraube	Altlık Shim U-Platte	Altlık Cıvatası Shim Screw U-Platte Schraube	Baskı Kepi Clamp Spannpratze	Yay Spring Feder	Pul Washer U-Scheibe	Anahtar Allen Key Inbuss-Schlüssel
			Dmin	d	L	L1	f	h	ISO								
K487	●	S20R DDUNL 11	30	20	200	50	13	18	0,508	DN-- 1104	TC046 M5	TA030	TC074 M4x10	BK024	BY041	BSP031	3 Allen
K488	●	S25S DDUNL 11	32	25	250	50	17	23	0,956								
K490	●	S25S DDUNL 15	32	25	250	50	17	23	0,950								
K492	●	S32T DDUNL 15	40	32	300	55	22	30	1,835	DN-- 1506	TC044 M6	TA014-1	TC038 M4x10	BK020	BY040	BSP030	4 Allen
K494	●	S40T DDUNL 15	50	40	300	60	27	38	2,848								
K495	●	S40U DDUNL 15	50	40	350	60	27	38	3,336								
K496	●	S50U DDUNL 15	63	50	350	65	35	47	5,153								